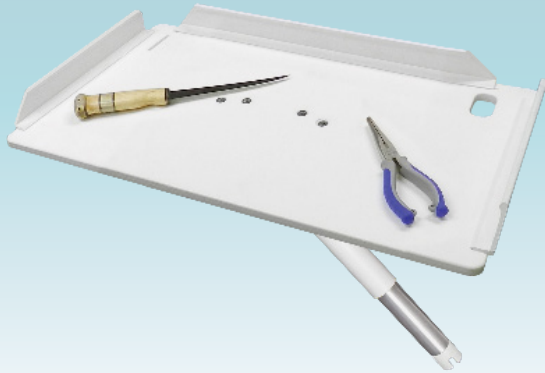




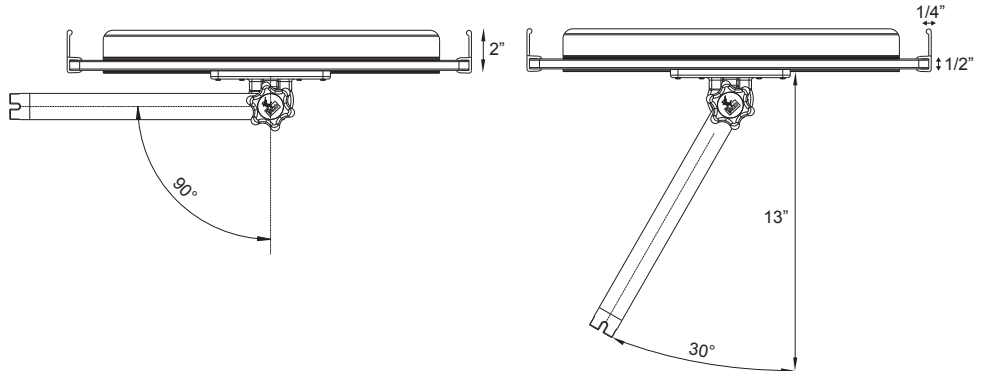
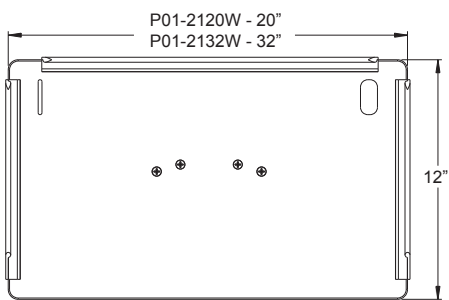
ADJUSTABLE POLY FILET TABLE



A great cutting surface is critical when spending a day fishing. Save your gunnels, cooler tops and live well lids by using the TACO Marine Adjustable Poly Filet Table, which is available in two sizes - 20" and 32". This adjustable, stowable filet table is the perfect addition to your boat when fileting and cutting bait. Made from FDA-approved, high-density polyethylene, the Adjustable Poly Filet Table will not discolor, crack, mildew or absorb fish odors. It also features a storage slot for knives and pliers, and is easily cleaned with any marine-safe cleaning product. It mounts into any standard rod holder.

FEATURES & BENEFITS

- ▶ High-density, 1/2" thick Polyethylene
 - ▶ Holds a knife and a plier
 - ▶ Drainage openings for easy clean-up
 - ▶ Anodized Aluminum mount fits into any standard gunnel rod holder
 - ▶ Rugged engineered nylon tilt mount locks at many angles
 - ▶ Folds flat for storage under deck
 - ▶ Stainless fasteners and easy-to-assemble mount
 - ▶ Turning the position washer 1/4 turn allows for six additional angles
- Available in two widths - 20" and 32"



Dimensions shown in inches

PART NUMBER	DESCRIPTION	UNIT	PACK	UPC
P01-2120W-1	Adjustable Poly Filet Table, Gunnel Mount, White, 20" x 12"	Each 4	4	630838030223
P01-2132W-1	Adjustable Poly Filet Table, Gunnel Mount, White, 32" x 12"	Each 4	4	630838030230